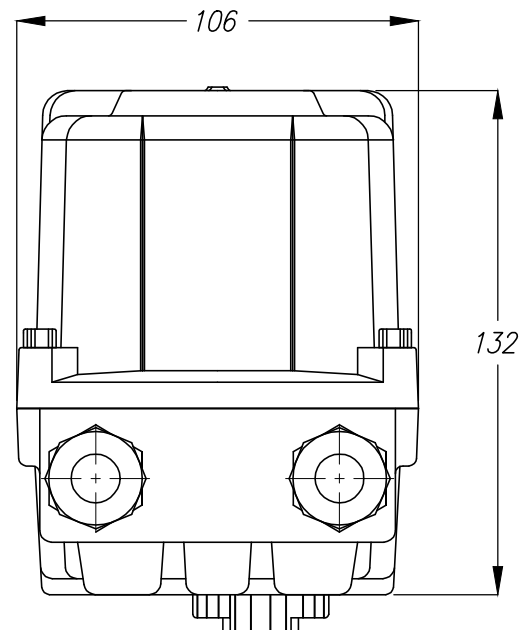
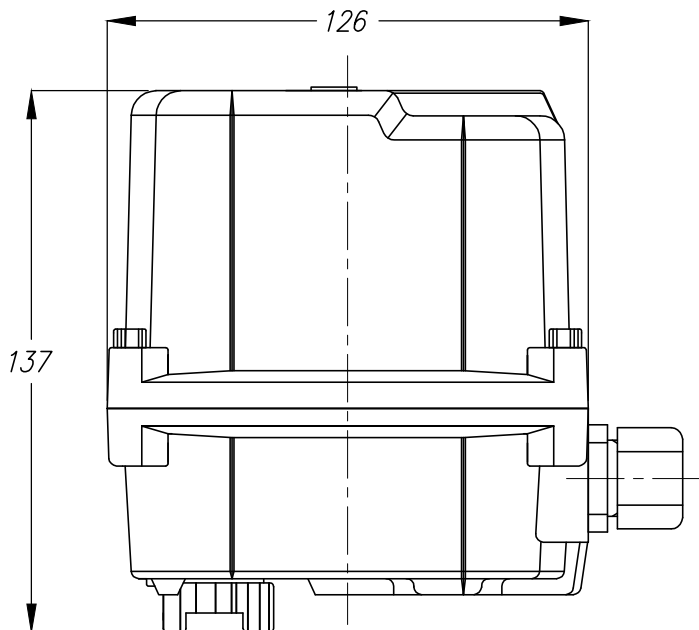
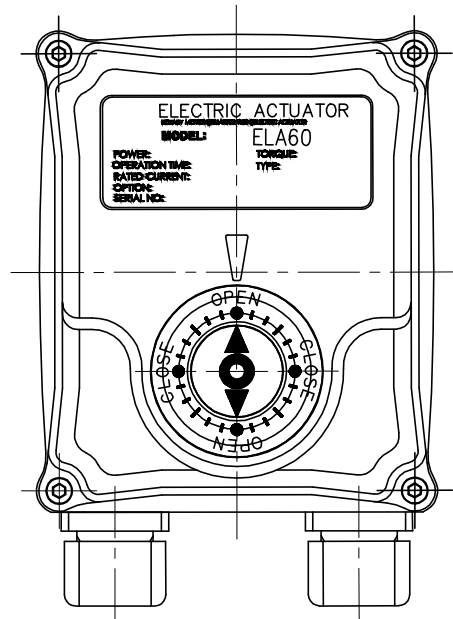
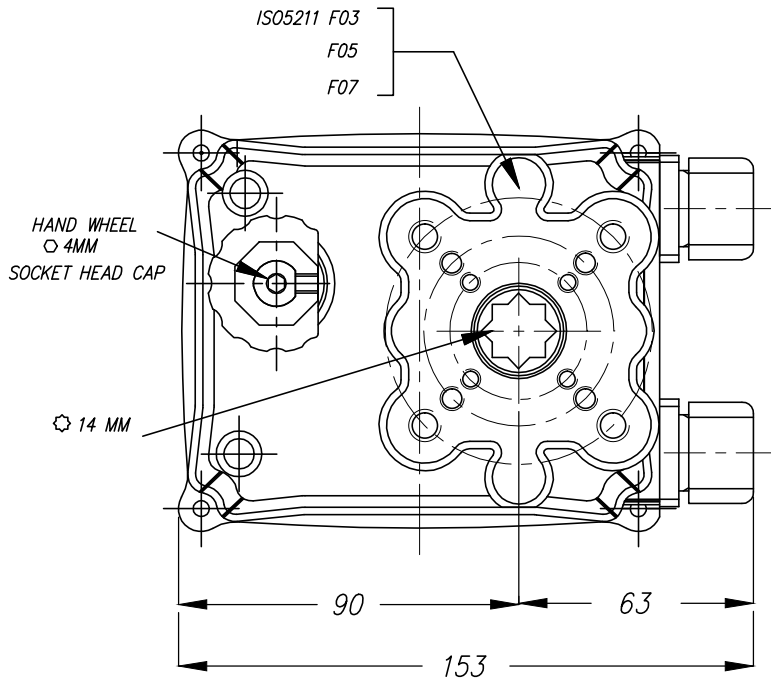


# ELECTRIC ACTUATOR ELA60 WITH DRIVE BUSHING

DOUBLE SQUARE INSERT DS14

ENCLOSURE: IP67  
 TORQUE: 6Kg.m / 60Nm  
 OPERATION TIME: 12sec  
 POSITION SWITCH: 4 SPDT SWITCH  
 CABLE ENTRY: PG11  
 MOUNTING FLANGE: F03/F05/F07  
 acc. to DIN/ISO5211



DATE:  
 12-11-2012

REV. DATE:  
 18-04-2014

# econosto

DRAWN:  
 FWP

CHECKED:

DWG. Nr.:  
 7907-2

REV.:  
 A