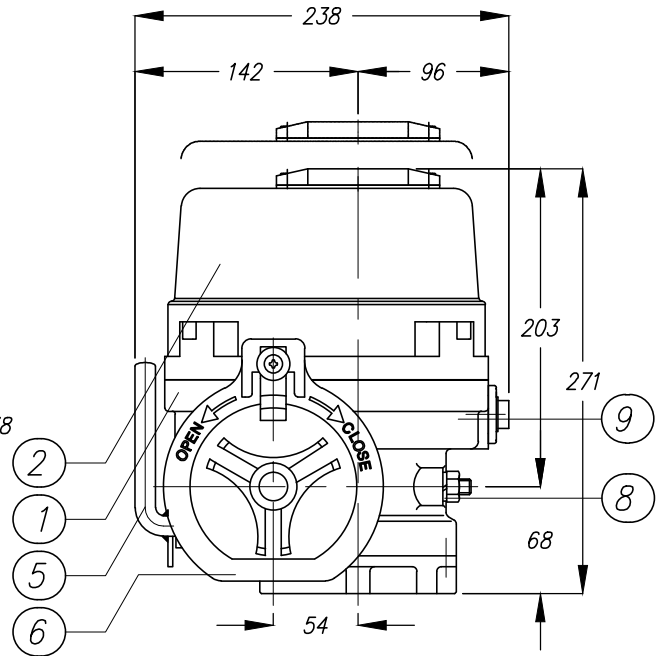
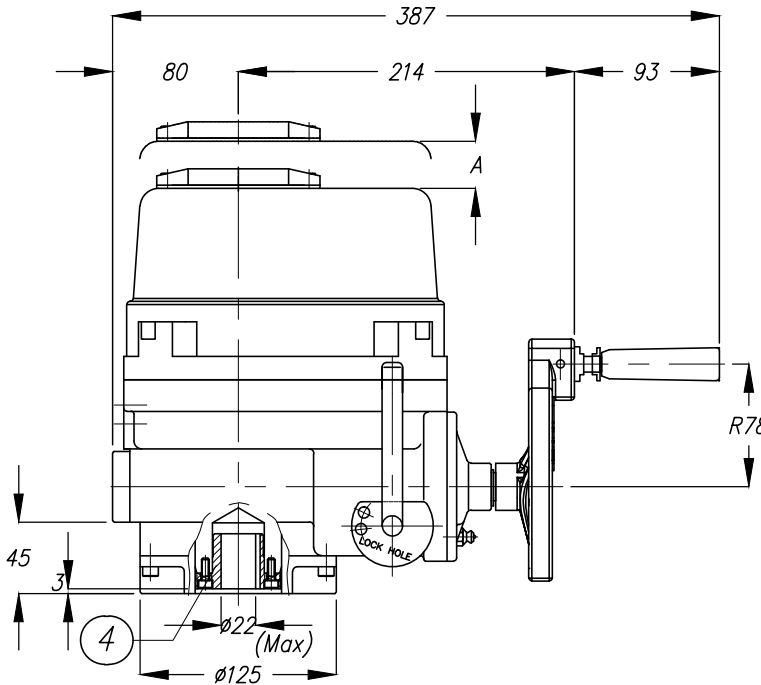
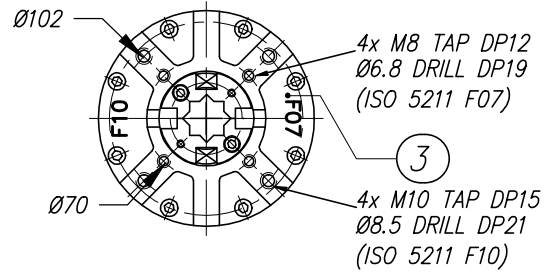
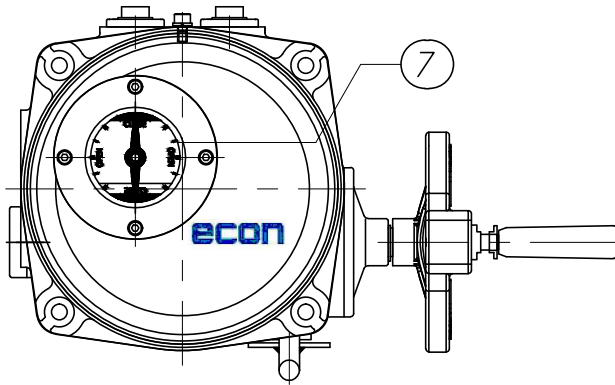


# ELECTRIC ACTUATOR ELA150 AND ELA200 WITH DRIVE BUSHING

DOUBLE SQUARE INSERT DS17 MM



POS	NAME	MATERIAL
1	BODY	AC4B
2	TOP COVER	AC4B
3	BASE	FC250
4	DRIVE BUSHING	SM45C
5	LEVER	SM45C
6	HANDLE	ALDC12
7	INDICATOR	SUS304
8	STOPPER BOLTS	SUS302 2x M10x50
9	CONDUIT ENTRIES	PC+G30% 2x M25

SIZE "A" IS THE DIFFERENCE TO REMOVE THE COVER OF THE ACTUATOR NAMELY 160MM

ENCLOSURE: IP67  
 TORQUE: 15 Kg.m / 150 Nm ELA150  
 TORQUE: 20 Kg.m / 200 Nm ELA200  
 OPERATION TIME: ±23sec ELA150 AND ELA200  
 CABLE ENTRY: 2x M25  
 MOUNTING FLANGE: F07/F10 acc. to DIN/ISO 5211

DATE:  
20-11-2012

REV. DATE:  
18-12-2013

# econosto

DRAWN:  
FWP

CHECKED:

DWG. Nr.:  
7907-4

REV.:  
A