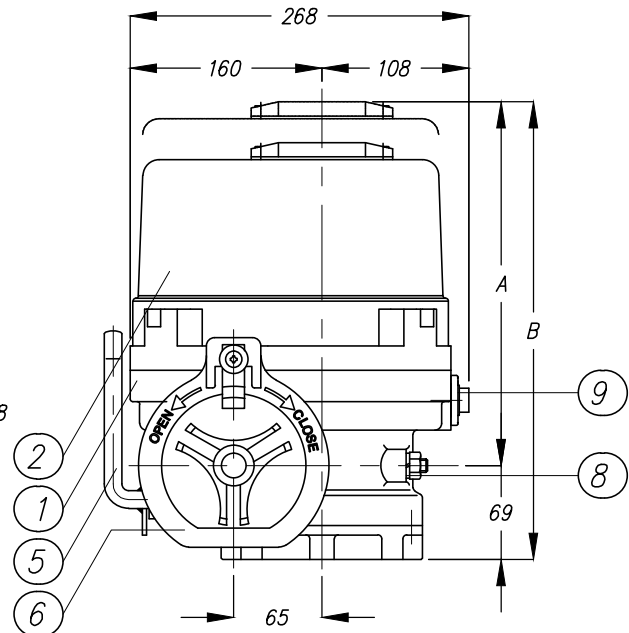
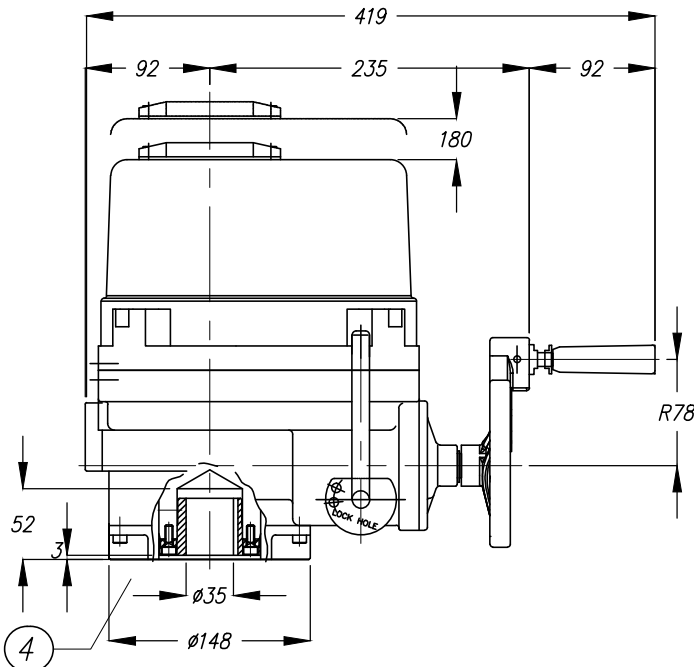
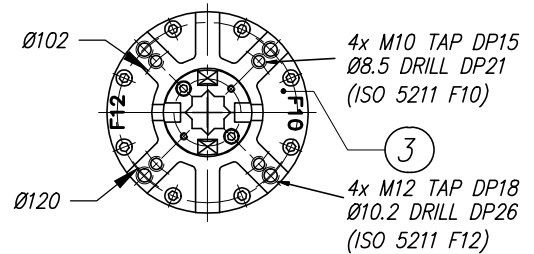
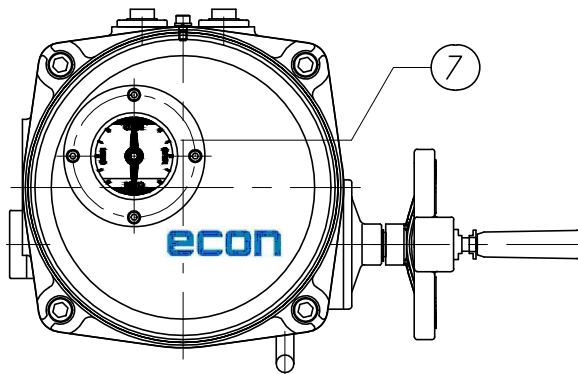


ELECTRIC ACTUATOR ELA300, ELA500 AND ELA600

WITH DRIVE BUSHING DOUBLE SQUARE INSERT DS22 MM OR DS27MM



ELA	A	B
300	221	290
500	235	304
600	235	304

POS	NAME	MATERIAL
1	BODY	AC4B
2	TOP COVER	AC4B
3	BASE	FC250
4	DRIVE BUSHING	SM45C
5	LEVER	SM45C
6	HANDLE	AC4B
7	INDICATOR	SUS304
8	STOPPER BOLTS	SUS302 2x M10x60
9	CONDUIT ENTRIES	PC+G30% 2x M25

SIZE "A" IS THE DIFFERENCE TO REMOVE THE COVER OF THE ACTUATOR NAMEDLY 180MM

ENCLOSURE: IP67
 TORQUE: 30Kg.m / 300Nm ELA300
 TORQUE: 50Kg.m / 500Nm ELA500
 TORQUE: 60Kg.m / 600Nm ELA600
 OPERATION TIME: ±28sec
 CABLE ENTRY: 2x M25
 MOUNTING FLANGE: F10/F12 acc. to DIN/ISO5211
 DRIVE BUSHING: ELA300 Double square insert of 22mm
 DRIVE BUSHING: ELA500 Double square insert of 27mm
 DRIVE BUSHING: ELA600 Double square insert of 27mm

DATE:
20-11-2012
REV. DATE:
24-02-2014

econosto

DRAWN: FWP
 CHECKED: J.L.
 DWG. Nr.: 7907-5
 REV.: B