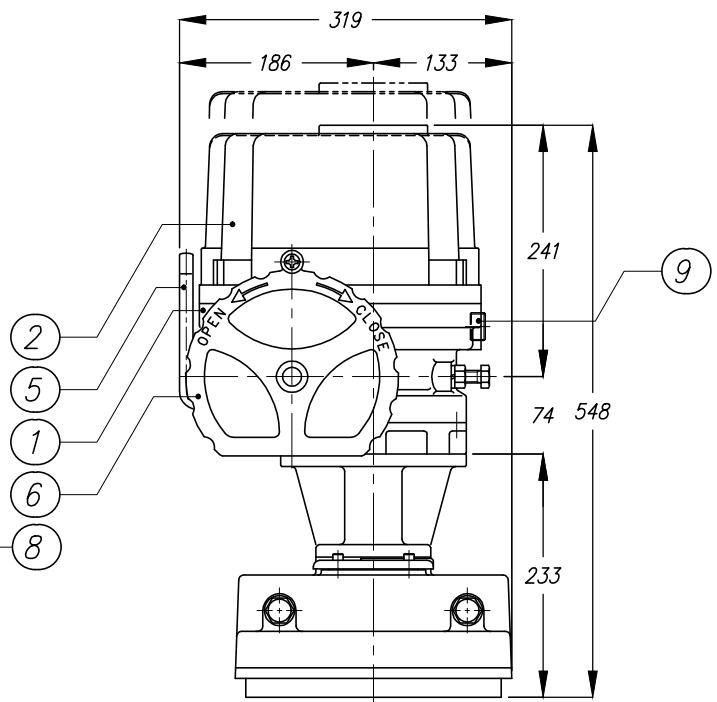
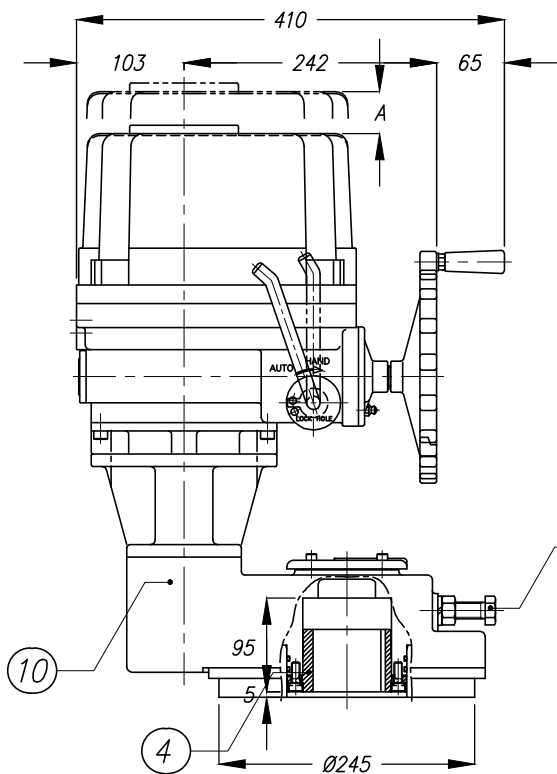
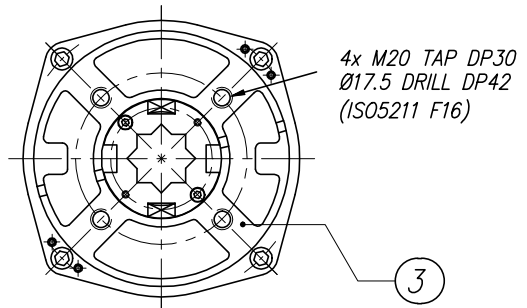
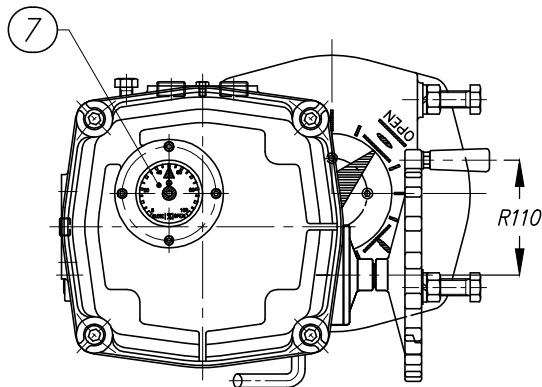


ELECTRIC ACTUATOR ELA2000 AND ELA3000

WITH DRIVE BUSHING DOUBLE SQUARE INSERT DS36MM OR DS46MM



POS	NAME	MATERIAL
1	BODY	AC2B
2	TOP COVER	AC2B
3	BASE	FC250
4	DRIVE BUSHING	SM45C
5	LEVER	SM45C
6	HANDLE	ALDC8
7	INDICATOR	PC
8	STOPPER BOLTS	SUS316
9	CONDUIT ENTRIES	PF 3/4"
10	GEARBOX	GC250

SIZE "A" IS THE DIFFERENCE TO REMOVE THE COVER OF THE ACTUATOR NAMEDLY 210MM

ENCLOSURE: IP67
 TORQUE: 200Kg.m / 2000Nm ELA2000
 TORQUE: 300Kg.m / 3000Nm ELA3000
 OPERATION TIME: ±105sec.
 CABLE ENTRY: PF 3/4"
 MOUNTING FLANGE: F16 acc. to DIN/ISO5211
 DRIVE BUSHING: Double square insert of 36mm ELA2000
 DRIVE BUSHING: Double square insert of 46mm ELA3000

DATE:
22-11-2012

REV. DATE:

econosto

DRAWN: CHECKED:

FWP

DWG. Nr.:

7907-7

REV.: