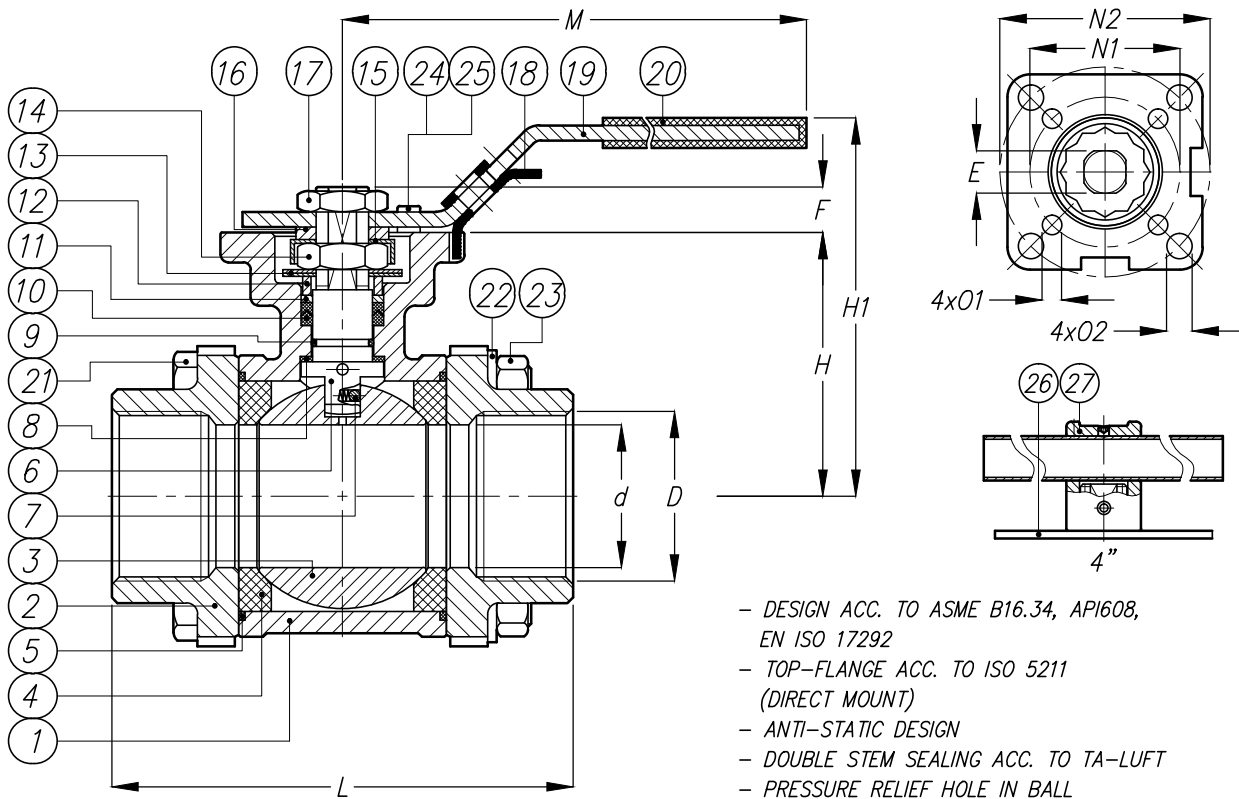


BALL VALVE OF STAINLESS STEEL, 1000 PSI WOG, ECON FIG. 7444,
 FULL BORE, BSP THREAD-CONNECTION, DIRECT MOUNT, WITH LOCKING DEVICE



- DESIGN ACC. TO ASME B16.34, API608, EN ISO 17292
- TOP-FLANGE ACC. TO ISO 5211 (DIRECT MOUNT)
- ANTI-STATIC DESIGN
- DOUBLE STEM SEALING ACC. TO TA-LUFT
- PRESSURE RELIEF HOLE IN BALL
- BSP THREAD ACC. TO ISO 228-1

| POS | NAME | MATERIAL |
|-----|-------------------|-----------------------------|
| 1 | BODY | 1.4408 |
| 2 | SCREWED END | 1.4408 |
| 3 | BALL | 1.4408 |
| 4 | SEAT RING | PTFE |
| 5 | GASKET | PTFE |
| 6 | STEM | 1.4401 |
| 7 | ANTISTATIC DEVICE | 1.4401 |
| 8 | THRUST WASHER | PTFE |
| 9 | O-RING | VITON |
| 10 | STEM SEAL | PTFE |
| 11 | BUSH | 50%SS+50%PTFE |
| 12 | GLAND | 1.4401 |
| 13 | BELLEVILLE WASHER | 1.4310 |
| 14 | STEM NUT | 1.4301 (A194-8) |
| 15 | LOCK PLATE | 1.4301 |
| 16 | GLAND | 1.4301 |
| 17 | STEM NUT | 1.4301 (A194-8) |
| 18 | LOCKING DEVICE | 1.4301 |
| 19 | LEVER TILL 3" | 1.4301 |
| 20 | SLEEVE | PLASTIC |
| 21 | BOLT | A2-70 |
| 22 | SPRING WASHER | 1.4301 |
| 23 | NUT | A2-70 |
| 24 | CAP SCREW | 1.4301 (A193-B8) |
| 25 | NUT | 1.4301 (A194-8) |
| 26 | STOP PLATE | 1.4301 |
| 27 | T-BAR ONLY 4" | St. A53 ZINC PL. BARE SHAFT |

| DN | ∅d | #E | F | H | H1 | L | M | ∅N1 | ∅N2 | ∅O1 | ∅O2 |
|--------|-------|----|----|-------|-------|-------|-----|-----|-----|-----|-----|
| 1/4" | 10.6 | 9 | 9 | 42.0 | 72.0 | 75.0 | 145 | 36 | 42 | 6 | 6 |
| 3/8" | 12.7 | 9 | 9 | 42.0 | 72.0 | 75.0 | 145 | 36 | 42 | 6 | 6 |
| 1/2" | 15.0 | 9 | 9 | 42.0 | 72.0 | 75.0 | 145 | 36 | 42 | 6 | 6 |
| 3/4" | 20.0 | 9 | 9 | 48.5 | 80.0 | 80.0 | 145 | 36 | 50 | 6 | 7 |
| 1" | 25.0 | 11 | 11 | 58.0 | 90.0 | 90.0 | 175 | 42 | 50 | 6 | 7 |
| 1.1/4" | 32.0 | 11 | 11 | 63.0 | 95.0 | 110.0 | 175 | 42 | 70 | 6 | 9 |
| 1.1/2" | 38.0 | 14 | 14 | 71.0 | 106.0 | 120.0 | 194 | 50 | 70 | 7 | 9 |
| 2" | 50.0 | 14 | 14 | 78.0 | 113.0 | 140.0 | 194 | 50 | 70 | 7 | 9 |
| 2.1/2" | 63.5 | 17 | 17 | 100.0 | 149.0 | 185.5 | 265 | 70 | 102 | 9 | 11 |
| 3" | 76.0 | 17 | 17 | 109.0 | 159.0 | 205.0 | 265 | 70 | 102 | 9 | 11 |
| 4" | 100.0 | 22 | 22 | 140.0 | 205.0 | 240.0 | 400 | - | 102 | - | 11 |

| DN | SW | m(kg) |
|--------|-----|-------|
| 1/4" | 28 | 0.64 |
| 3/8" | 28 | 0.63 |
| 1/2" | 28 | 0.69 |
| 3/4" | 32 | 0.88 |
| 1" | 41 | 1.38 |
| 1.1/4" | 50 | 2.02 |
| 1.1/2" | 57 | 2.96 |
| 2" | 70 | 4.34 |
| 2.1/2" | 86 | 8.22 |
| 3" | 101 | 11.21 |
| 4" | 132 | 22.06 |

DATE:
19-04-2005

REV. DATE:
25-03-2011

econosto

DRAWN: FWP
 CHECKED: RV

DWG. Nr.: 7444
 REV.: C