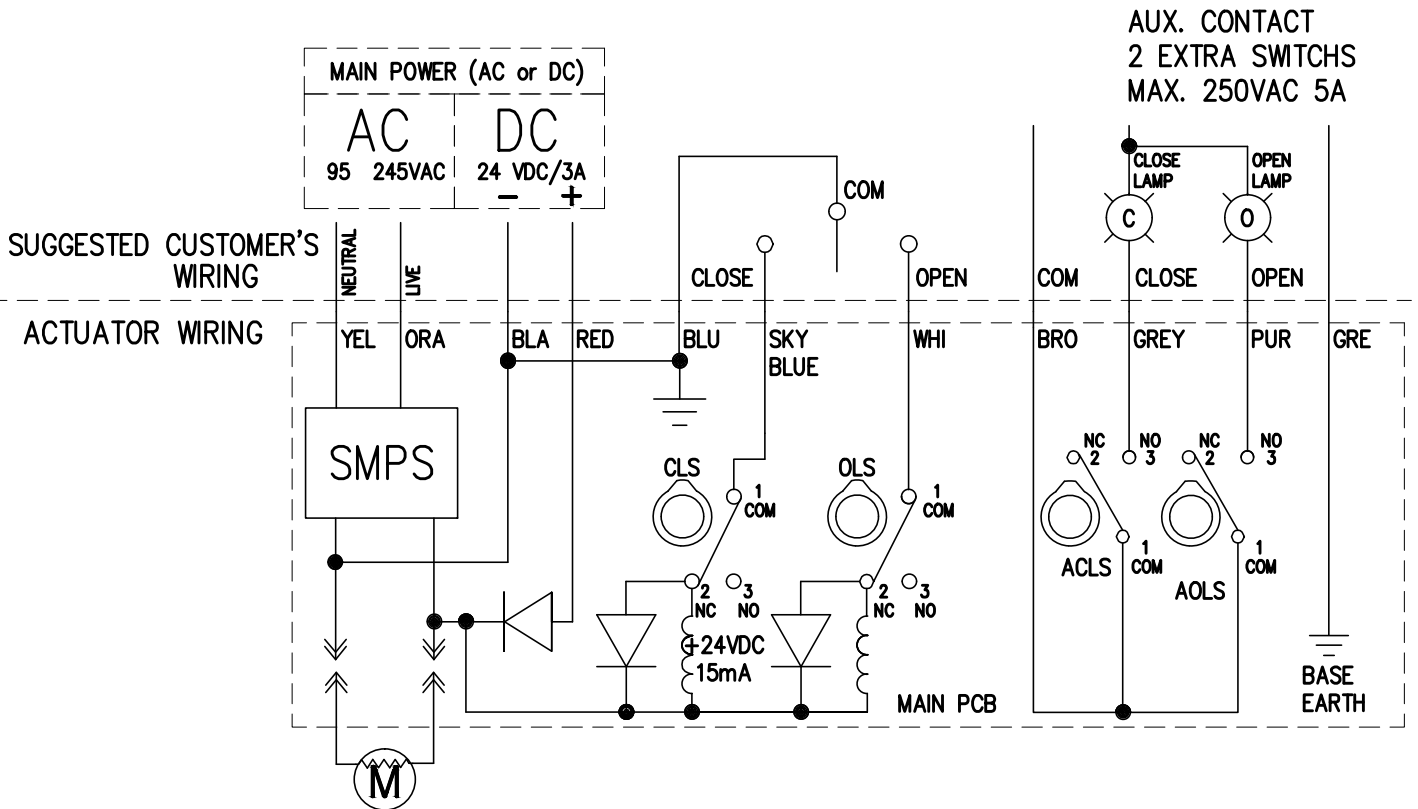


ELECTRIC WIRING DIAGRAM FOR ACTUATOR ELA40

95VAC UP TO 245VAC AND 24VDC



SYMBOL	DESCRIPTION	RATING
CLS	CLOSE LIMIT SWITCH	250VAC 5A
OLS	OPEN LIMIT SWITCH	250VAC 5A
ACLS	AUX. CLOSE LIMIT SWITCH	250VAC 5A
AOLS	AUX. OPEN LIMIT SWITCH	250VAC 5A

*EACH ACTUATOR SHOULD BE POWERD TROUGH IT'S OWN INDIVIDUAL SWITCH OR RELAY CONTACTS TO PREVENT CROSS FEED BETWEEN TWO OR MORE ACTUATORS

DATE:
13-11-2012
REV. DATE:
13-11-2014



DRAWN: FWP
CHECKED:
DWG. Nr.: D7907-1
REV.: B