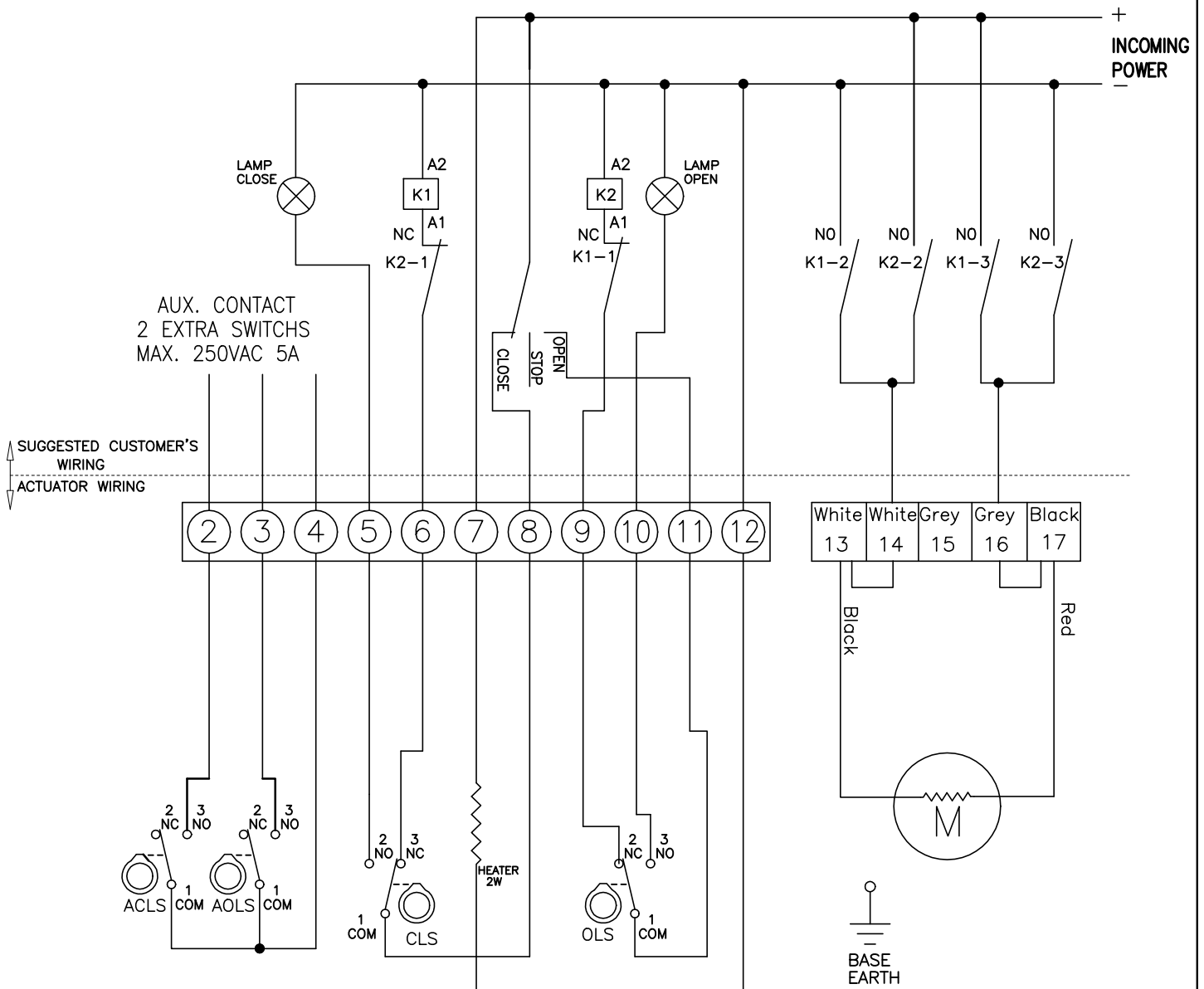


ELECTRIC WIRING DIAGRAM FOR ACTUATOR ELA60

24VDC STANDARD



SYMBOL	DESCRIPTION	RATING
CLS	CLOSE LIMIT SWITCH	250VAC 5A
OLS	OPEN LIMIT SWITCH	250VAC 5A
ACLS	AUX. CLOSE LIMIT SWITCH	250VAC 5A
AOLS	AUX. OPEN LIMIT SWITCH	250VAC 5A
TP	TERMAL PROTECTOR	250VAC 15A

*EACH ACTUATOR SHOULD BE POWERD TROUGH IT'S OWN INDIVIDUAL SWITCH OR RELAY CONTACTS TO PREVENT CROSS FEED BETWEEN TWO OR MORE ACTUATORS

DATE:
14-11-2012

REV. DATE:
14-11-2014

econ

DRAWN:
FWP

CHECKED:

DWG. Nr.:
D7907-2B

REV.:
E