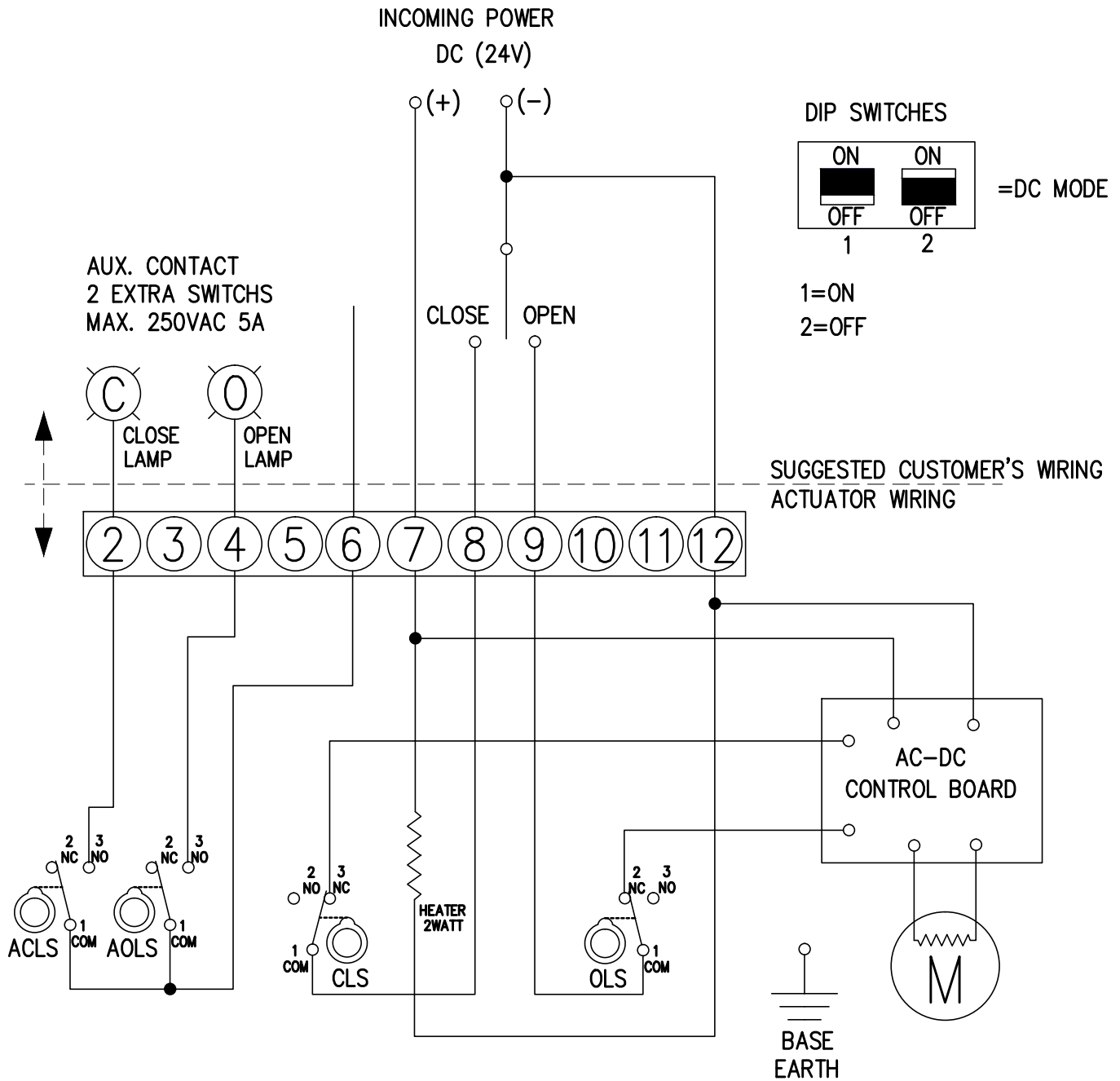


ELECTRIC WIRING DIAGRAM FOR ACTUATOR ELA60

24VDC WITH AC-DC CONTROL BOARD



SYMBOL	DESCRIPTION	RATING
CLS	CLOSE LIMIT SWITCH	250VAC 5 A
OLS	OPEN LIMIT SWITCH	250VAC 5 A
ACLS	AUX CLOSE LIMIT SWITCH	250VAC 5 A
AOLS	AUX OPEN LIMIT SWITCH	250VAC 5 A

*EACH ACTUATOR SHOULD BE POWERED THROUGH IT'S OWN INDIVIDUAL SWITCH OR RELAY CONTACTS TO PREVENT CROSS FEED BETWEEN TWO OR MORE ACTUATORS.

DATE:
14-11-2012

REV. DATE:
14-11-2014

econ

DRAWN:
FWP

CHECKED:

DWG. Nr.:
D7907-2C DC

REV.:
B