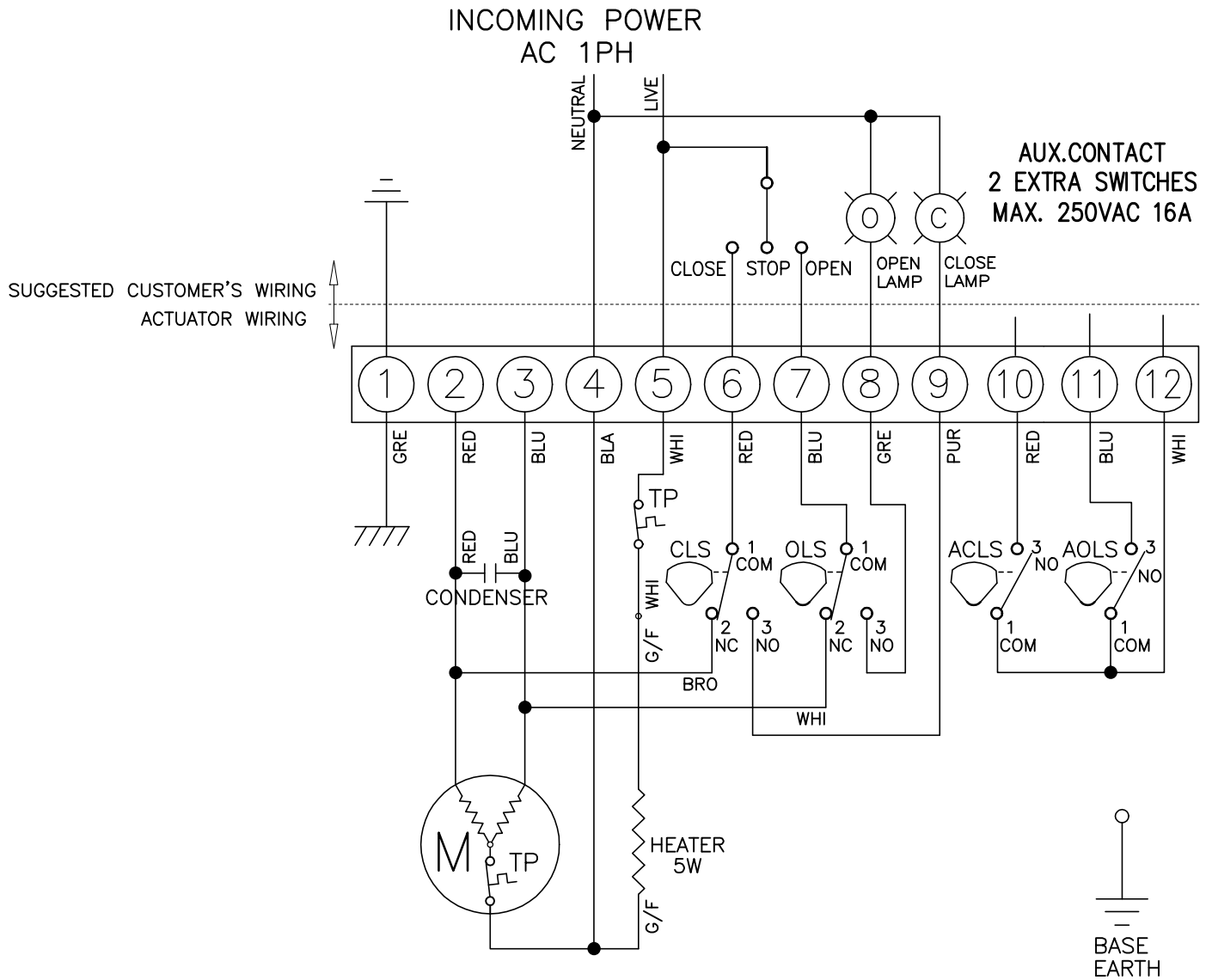


# ELECTRIC WIRING DIAGRAM FOR ACTUATOR ELA80 AND 100

110 OR 230VAC 1PH STANDARD



SYMBOL	DESCRIPTION	RATING
CLS	CLOSE LIMIT SWITCH	250VAC 16A
OLS	OPEN LIMIT SWITCH	250VAC 16A
ACLS	AUX CLOSE LIMIT SWITCH	250VAC 16A
AOLS	AUX OPEN LIMIT SWITCH	250VAC 16A
TP	THERMAL PROTECTOR	250VAC 15A

\*EACH ACTUATOR SHOULD BE POWERED THROUGH IT'S OWN INDIVIDUAL SWITCH OR RELAY CONTACTS TO PREVENT CROSS FEED BETWEEN TWO OR MORE ACTUATORS.

DATE:  
14-11-2014

REV. DATE:  
20-11-2014

**econ**

DRAWN:  
JL

CHECKED:

DWG. Nr.:  
**D7907-3A**

REV.:  
**A**