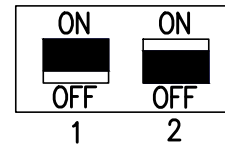


ELECTRIC WIRING DIAGRAM FOR ACTUATOR ELA80 AND 100

24VAC AC-DC CONTROL BOARD

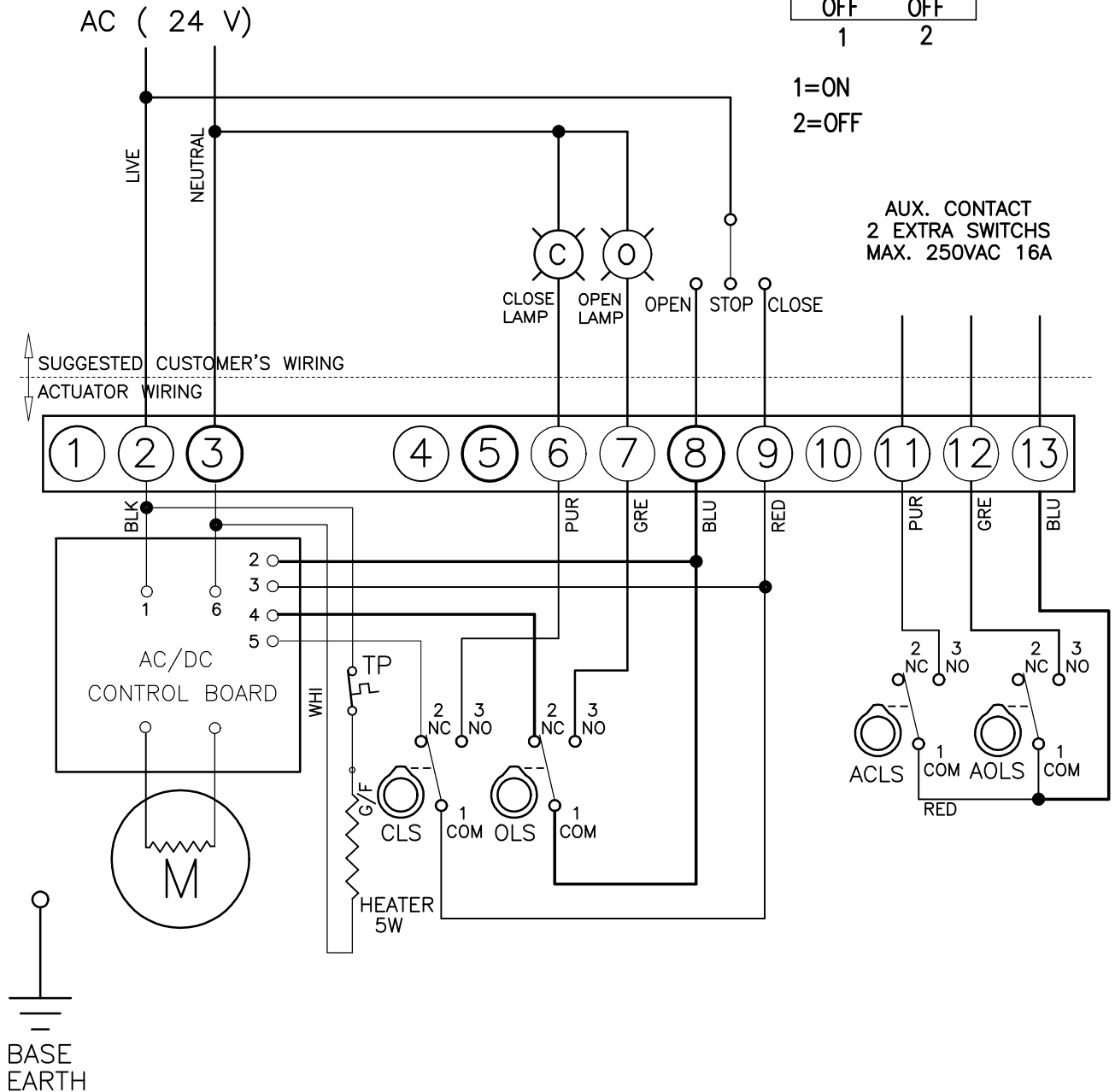
DIP SWITCHES



=AC MODE

1=ON
2=OFF

AUX. CONTACT
2 EXTRA SWITCHES
MAX. 250VAC 16A



SYMBOL	DESCRIPTION	RATING
CLS	CLOSE LIMIT SWITCH	250VAC 16 A
OLS	OPEN LIMIT SWITCH	250VAC 16 A
TIP	TERMAL PROTECTOR	250VAC 15A
*EACH ACTUATOR SHOULD BE POWERED THROUGH IT'S OWN INDIVIDUAL SWITCH OR RELAY CONTACTS TO PREVENT CROSS FEED BETWEEN TWO OR MORE ACTUATORS.		

DATE:
14-11-2012
REV. DATE:
21-11-2014

econ

DRAWN: JL
CHECKED:
DWG. Nr.: D7907-3C-AC
REV.: A