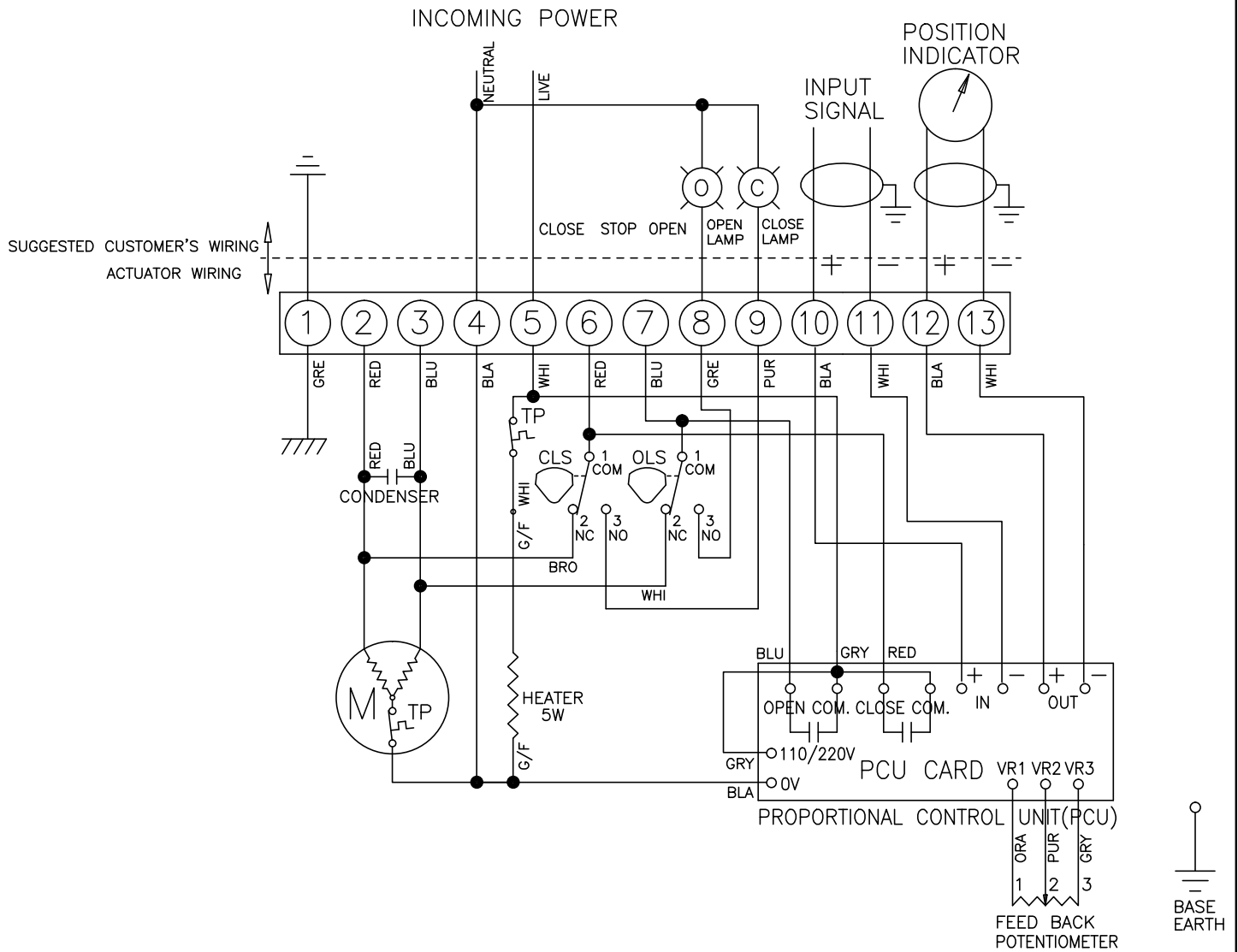


ELECTRIC WIRING DIAGRAM FOR ACTUATOR ELA80 AND 100 110 OR 230VAC 1PH PCU



| SYMBOL | DESCRIPTION | RATING |
|--------|--------------------|------------|
| CLS | CLOSE LIMIT SWITCH | 250VAC 16A |
| OLS | OPEN LIMIT SWITCH | 250VAC 16A |
| TP | THERMAL PROTECTOR | 250VAC 15A |
| | | |
| | | |

*EACH ACTUATOR SHOULD BE POWERED THROUGH IT'S OWN INDIVIDUAL SWITCH OR RELAY CONTACTS TO PREVENT CROSS FEED BETWEEN TWO OR MORE ACTUATORS.

DATE:
12-07-2013

REV. DATE:
21-11-2014



DRAWN: JL

CHECKED:

DWG. Nr.: D7907-3F

REV.: A