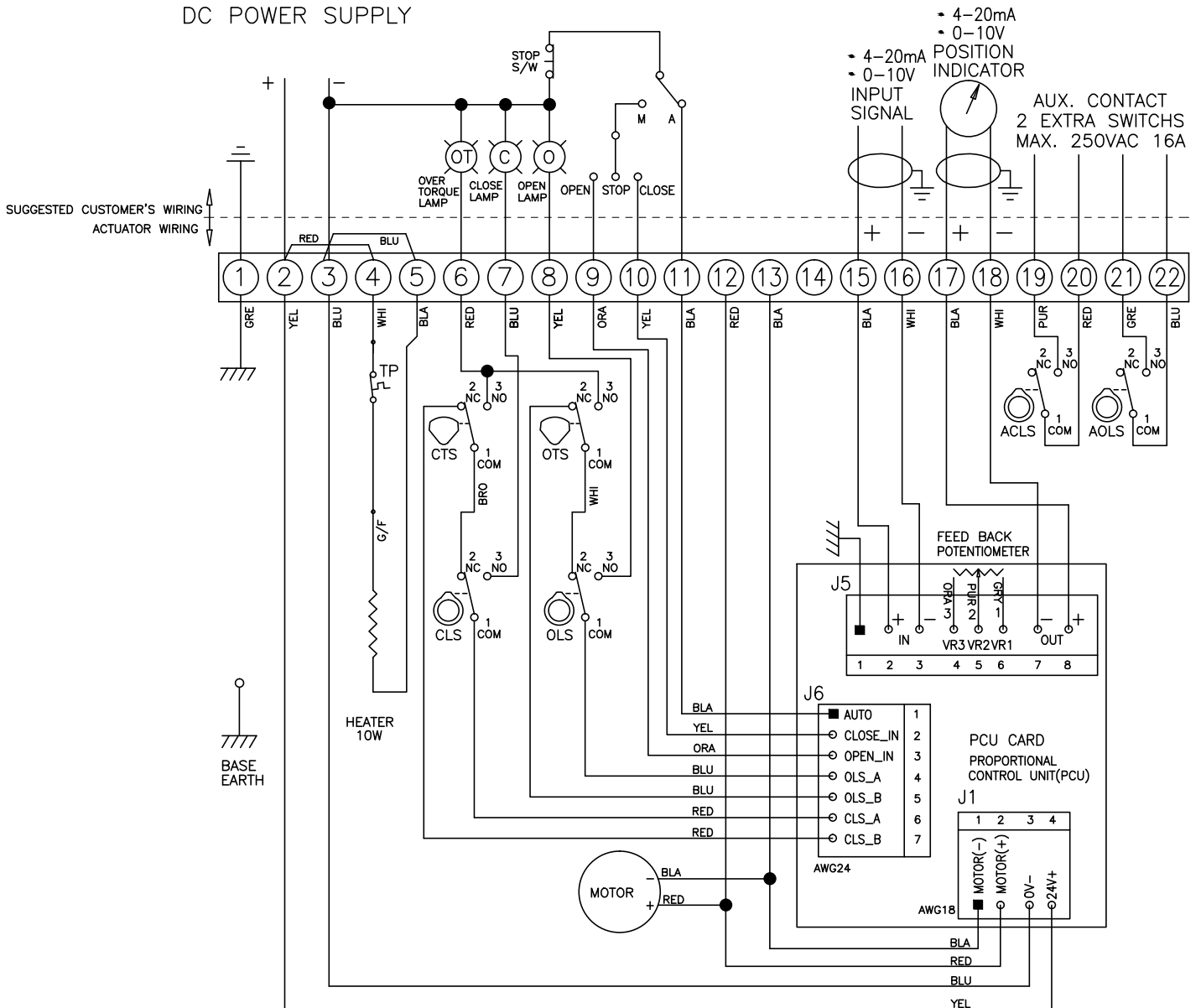


ELECTRIC WIRING DIAGRAM FOR ACTUATOR

ELA150 TILL ELA3000, 24VDC PCU



<i>TORQUE AND LIMIT SWITCH OPERATION</i>		
<i>CTS 1-3</i>	<i>*CLOSING TORQUE SWITCHES INTERRUPTS CONTROL IF MECHANICAL OVERLOAD OCCURS CLOSING CYCLE</i>	
<i>OTS 1-3</i>	<i>*OPENING TORQUE SWITCHES INTERRUPTS CONTROL IF MECHANICAL OVERLOAD OCCURS OPENING CYCLE</i>	
<i>SYMBOL</i>	<i>DESCRIPTION</i>	<i>RATING</i>
<i>CLS</i>	<i>CLOSE LIMIT SWITCH</i>	<i>250VAC 16A</i>
<i>OLS</i>	<i>OPEN LIMIT SWITCH</i>	<i>250VAC 16A</i>
<i>CTS</i>	<i>CLOSE TORQUE SWITCH</i>	<i>250VAC 16A</i>
<i>OTS</i>	<i>OPEN TORQUE SWITCH</i>	<i>250VAC 16A</i>
<i>ACLS</i>	<i>AUX. CLOSE LIMIT SWITCH</i>	<i>250VAC 16A</i>
<i>AOLS</i>	<i>AUX. OPEN LIMIT SWITCH</i>	<i>250VAC 16A</i>
<i>TP</i>	<i>TERMAL PROTECTOR</i>	<i>250VAC 15A</i>
<i>*EACH ACTUATOR SHOULD BE POWERED THROUGH IT'S OWN INDIVIDUAL SWITCH OR RELAY CONTACTS TO PREVENT CROSS FEED BETWEEN TWO OR MORE ACTUATORS</i>		

DATE:
12-07-2013

REV. DATE:
21-11-2014



DRAWN: JL

CHECKED:

DWG. Nr.: D7907-4F

REV.: A